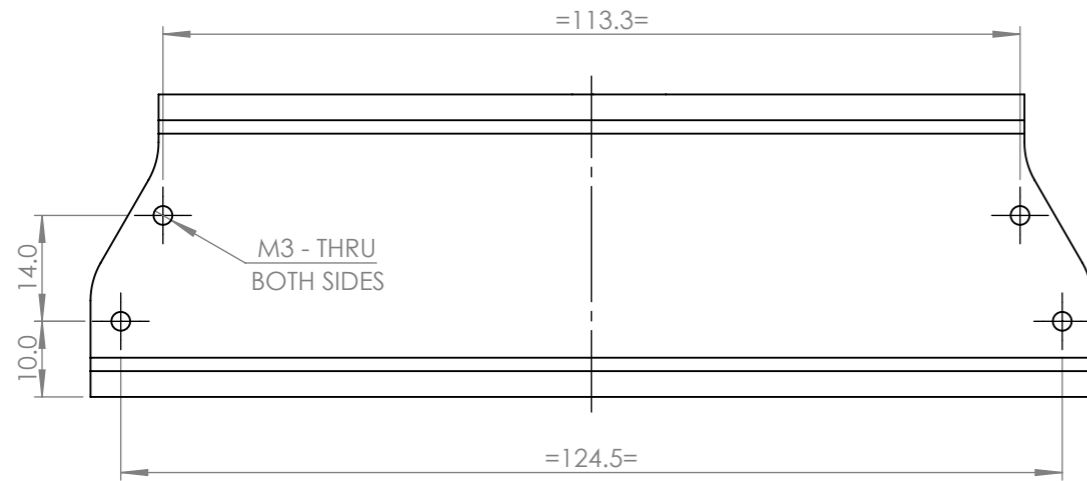
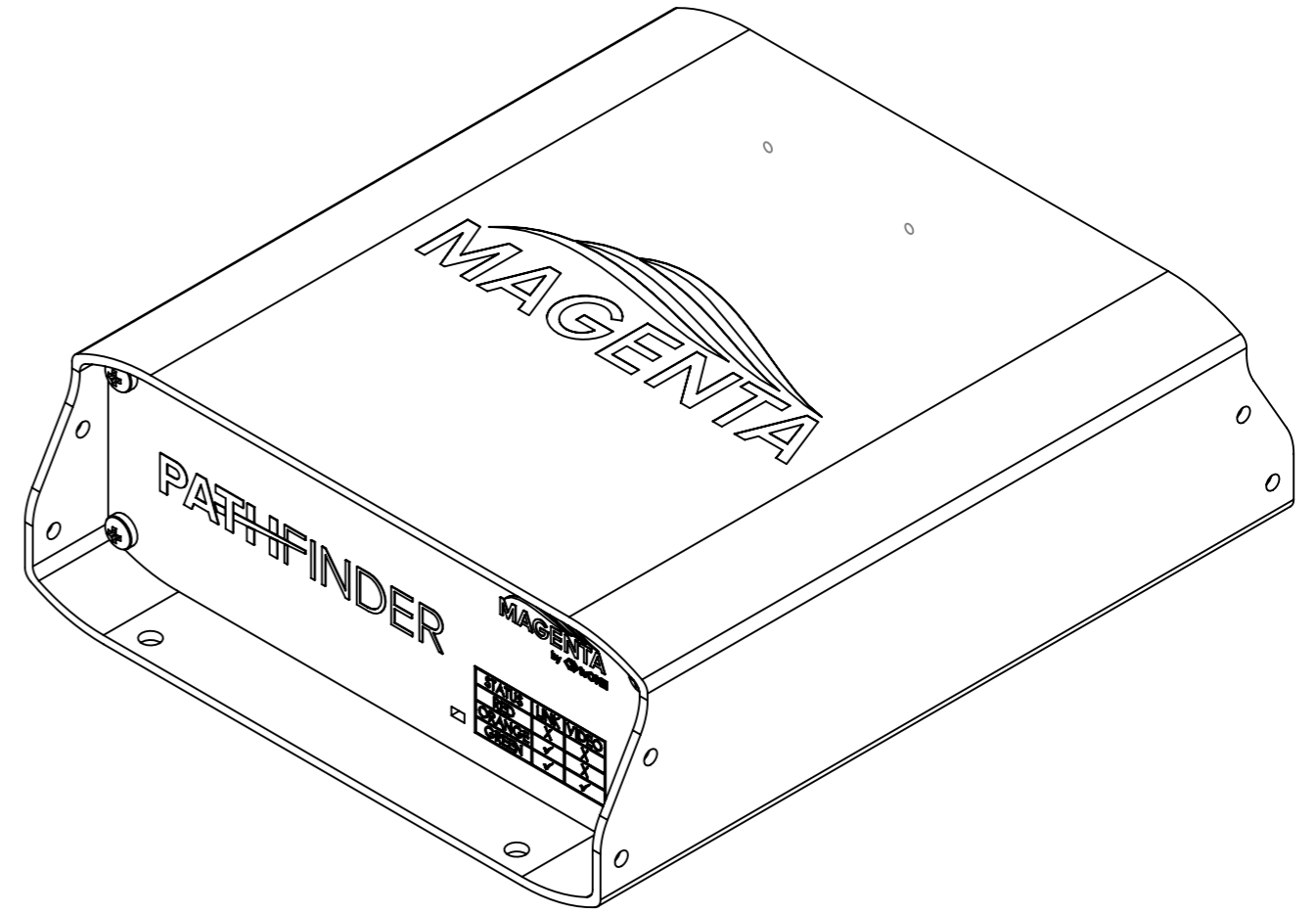
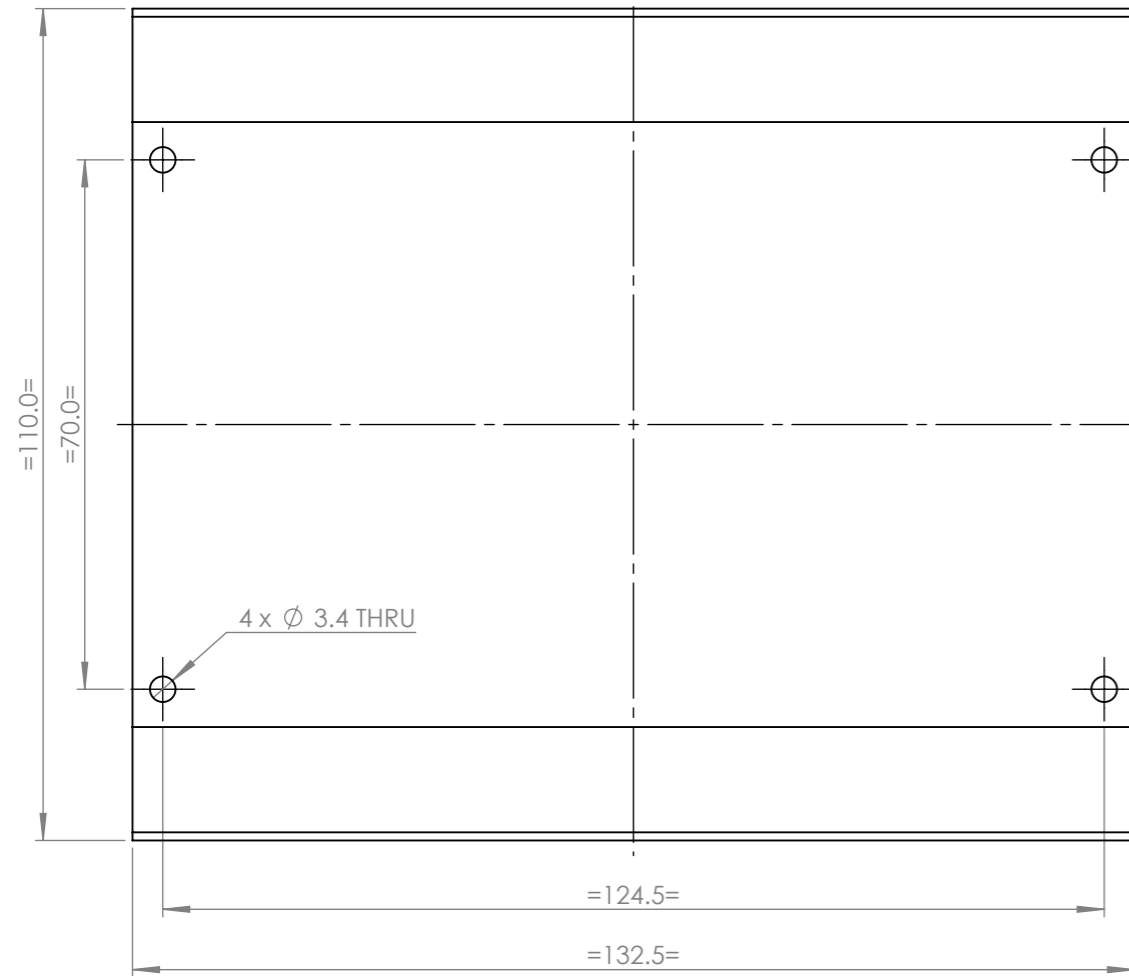


IF IN DOUBT ASK

SIDE VIEW



UNDERSIDE VIEW



2020	THIS DRAWING AND THE INFORMATION CONTAINED THEREIN, IS THE EXCLUSIVE INTELLECTUAL PROPERTY OF tvONE Ltd. AND MAY NOT BE COPIED OR DIVULGED TO A THIRD PARTY WITHOUT THE EXPRESS WRITTEN CONSENT OF tvONE Ltd.		REVISION 1
	DRAWN BY: Nick Prior	19/03/2020	Description KVM EXTENDER MOUNTING HOLE POSITIONS
MATERIAL:		DEBUR AND BREAK SHARP EDGES	PART No: MG-KVM53 SERIES
FINISH:		A3 WITH -VX THE X = THE REV NUMBER	
First Floor, Arcadia House 15 Forlease Road, Maidenhead, Berks. SL6 1RX +44 (0)1628 566820		THIRD ANGLE PROJECTION 	UNLESS OTHERWISE SPECIFIED DIMENSIONS ARE IN MILLIMETERS. TOLERANCES: LINEAR: +/- 0.20 ANGULAR: +/- 1° Ø: 0.05
WEIGHT (grams):		SCALE 1:1	DO NOT SCALE DRAWING SHEET 1 OF 1