

# 1RK-CBL-MGMT ONErack cable management accessory

Installation Guide V1.10

## In this guide

In the box .....	1
Fitting the cable management system .....	2
Contact us .....	5

# In the box

2 brackets



1 mounting rail



12 M4 screws, black



8 M4 Nyloc nuts



In the unlikely event that a component is missing or damaged, please contact [tech.usa@tvone.com](mailto:tech.usa@tvone.com) or [tech.europe@tvone.com](mailto:tech.europe@tvone.com).

## Tools

Pozidriv® PZ2 crosshead screwdriver

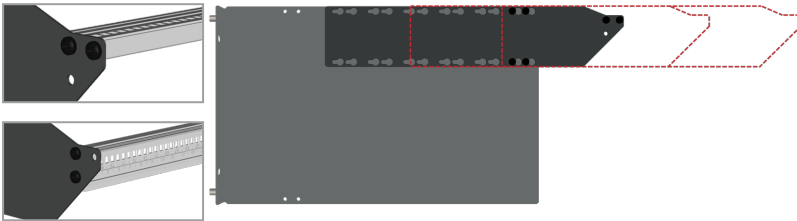
7 mm wrench

# Fitting the cable management system

**!** To avoid damaging your ONErack, build it in a clean, tidy area.

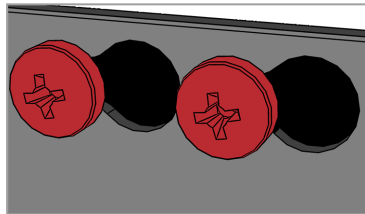
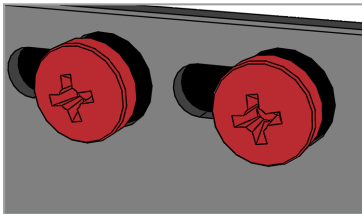
## Fully flexible

The cable management system is flexible to fit your needs, with multiple positions and configurations available.

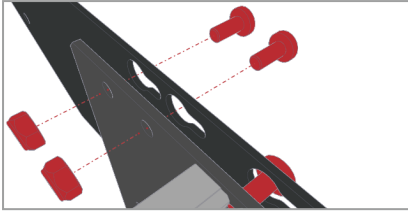


## Fit and slide

The brackets have keyhole slots, so you don't need to completely remove any screws holding existing mounting rails in place. Just loosen the screws, fit and slide the bracket, and tighten the screws.

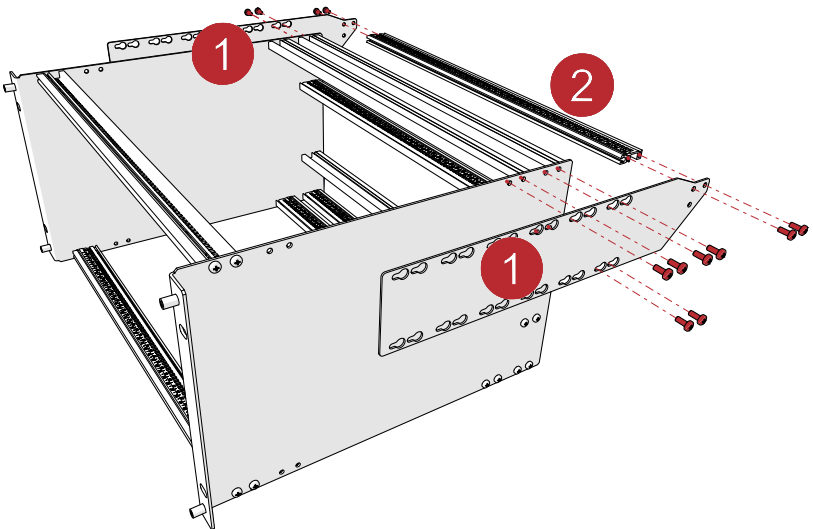


Any screws that don't also hold a mounting rail in place need a nut.



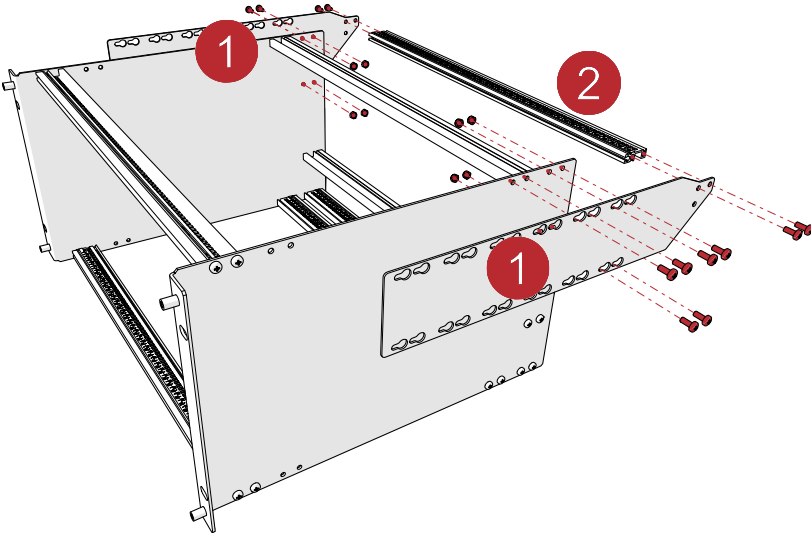
## To fit the cable management system to a chassis fitted with extra rails

1. Fit the side brackets.
2. Fit the mounting rail.



## To fit the cable management system to a chassis without extra rails

1. Fit the side brackets.
2. Fit the mounting rail.



## Contact us

 tvone.com

 info@tvone.com

 **Support NCSA:** tech.usa@tvone.com

 **Support EMEA:** tech.europe@tvone.com

 **Support Asia:** tech.asia@tvone.com

Information in this document is subject to change without notice. No part of this publication may be reproduced, stored in a retrieval system, or transmitted in any form or any means electronic or mechanical, including photocopying and recording for any purpose other than the purchaser's personal use without the written permission of tvONE.

Copyright © 2019 tvONE™. All rights reserved.

Registered in the U.S. Patent and Trademark Office.

# CAPTIVATE your AUDIENCE



The  
best technology  
for creating  
eye-catching  
visual experiences



We Engineer Confidence