

ONErack extra mounting rails

Installation Guide V1.30

MNL-1RK-XTRA-RAIL-V1.30

Mar 2019

In this guide

In the box 2
Fitting extra mounting rails 3
Contact us 4

In the box

2 mounting rails



2 M3 bolt strips



8 M4 screws



! In the unlikely event that a component is missing or damaged, please contact tech.usa@tvone.com or tech.europe@tvone.com.

Tools

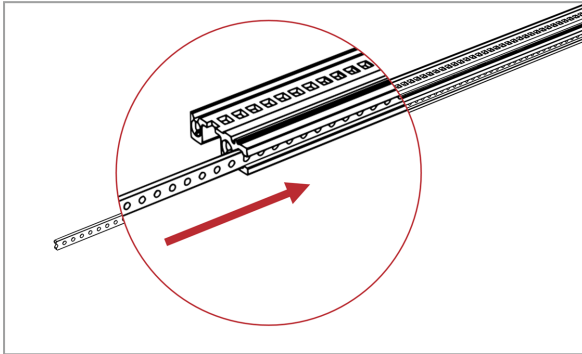
Pozidriv® PZ2 crosshead screwdriver

Fitting extra mounting rails

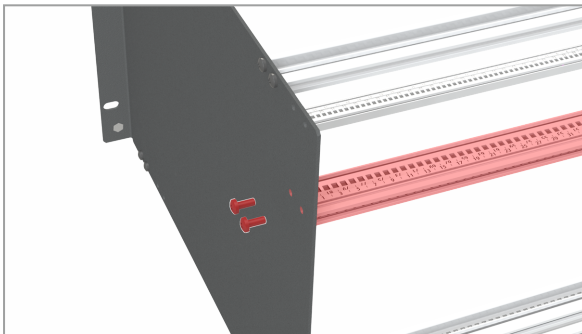
! To avoid damaging your ONERack, build it in a clean, tidy area.

If your ONERack is installed in a rack cabinet, remove it.

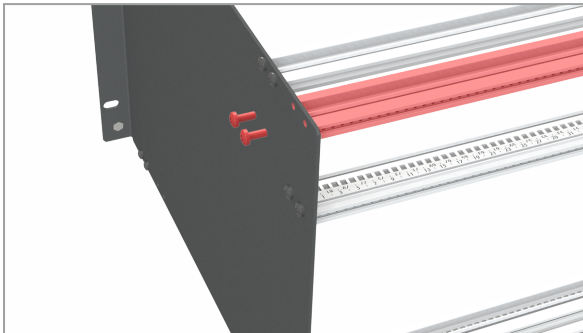
1. Slide an M3 bolt strip into each mounting rail, as shown.



2. Work from the rear of the chassis. Position the lower rail with the numbers facing upwards and the M3 bolt strip facing outwards. Use four M4 screws to connect the rail to the side panels.



3. Position the upper rail with the numbers facing downwards and the M3 bolt strip facing outwards. Use four M4 screws to connect the rail to the side panels.



Contact us

🌐 [tvone.com](https://www.tvone.com)

✉ info@tvone.com

✉ **Support NCSA:** tech.usa@tvone.com

✉ **Support EMEA:** tech.europe@tvone.com

✉ **Support Asia:** tech.asia@tvone.com

Information in this document is subject to change without notice. No part of this publication may be reproduced, stored in a retrieval system, or transmitted in any form or any means electronic or mechanical, including photocopying and recording for any purpose other than the purchaser's personal use without the written permission of tvONE.

Copyright © 2019 tvONE™. All rights reserved.

Registered in the U.S. Patent and Trademark Office.