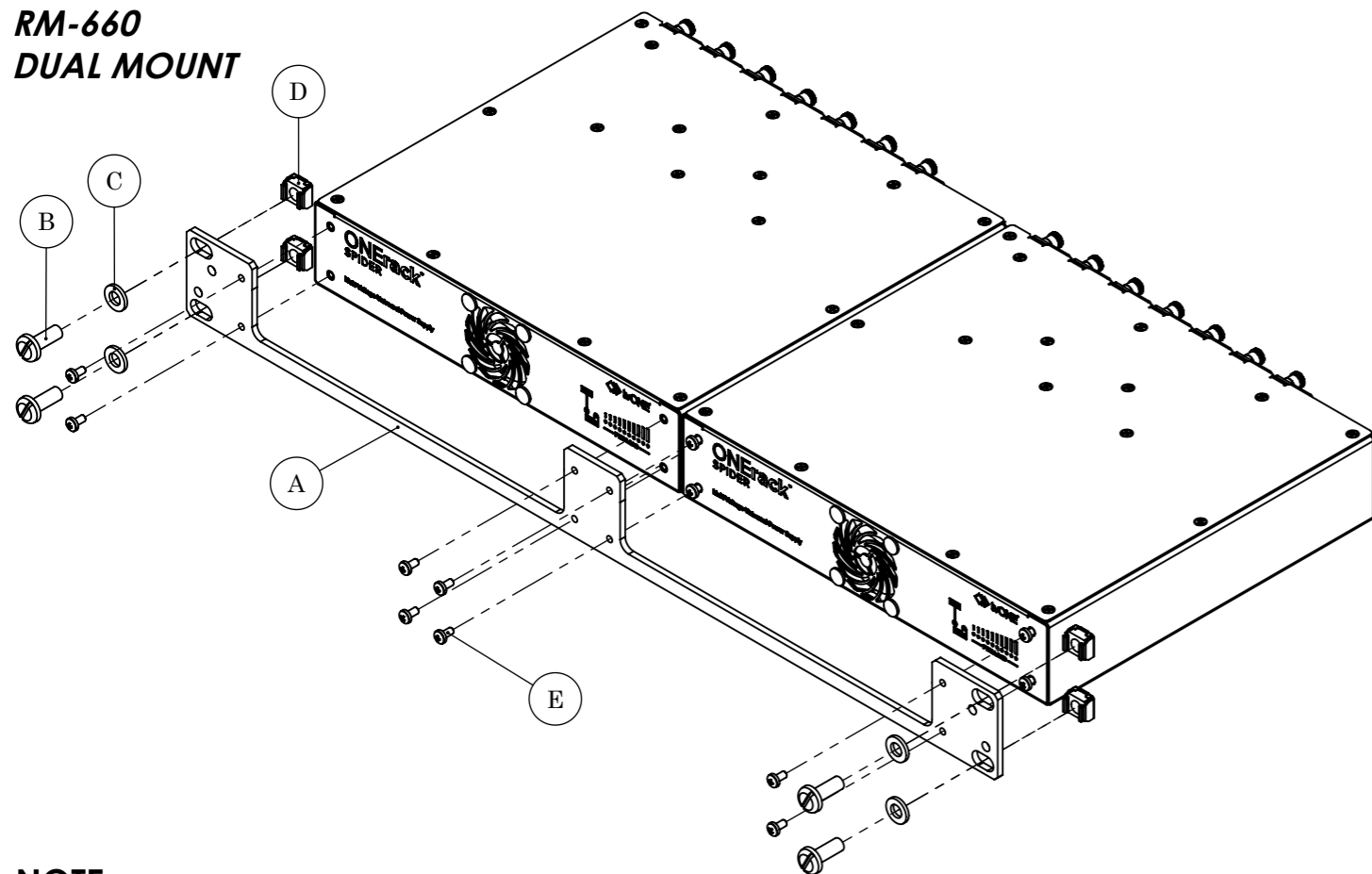
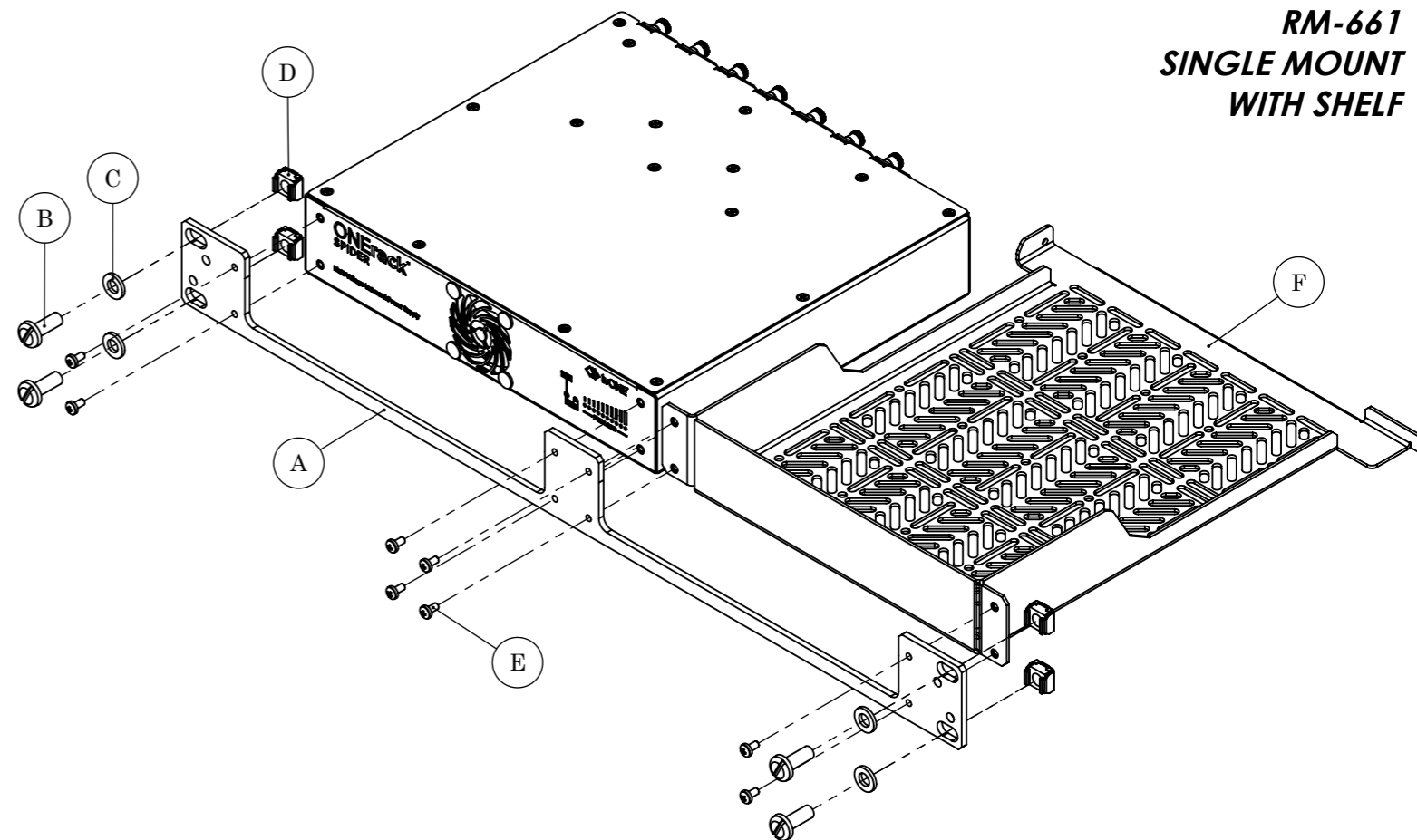


1U HALF RACK MOUNTING OPTIONS

**RM-660
DUAL MOUNT**

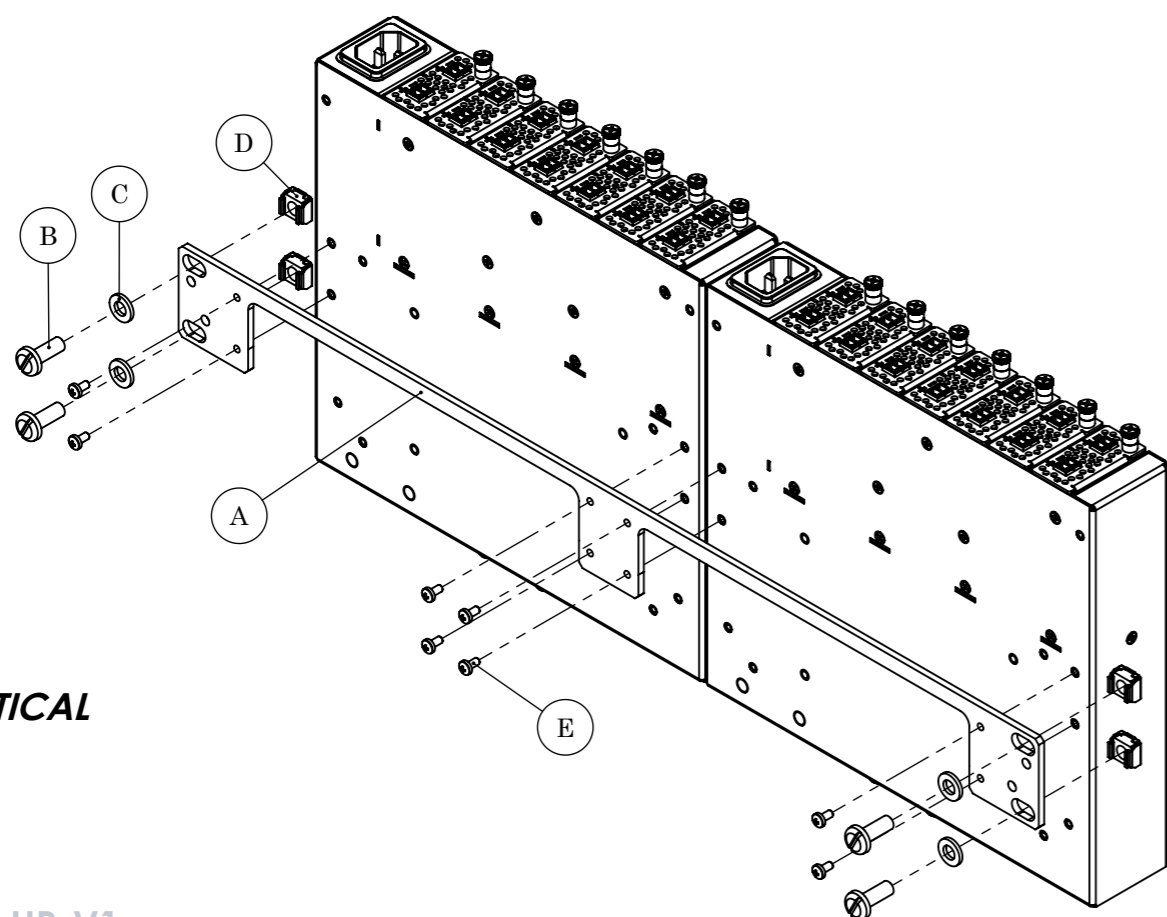


**RM-661
SINGLE MOUNT
WITH SHELF**

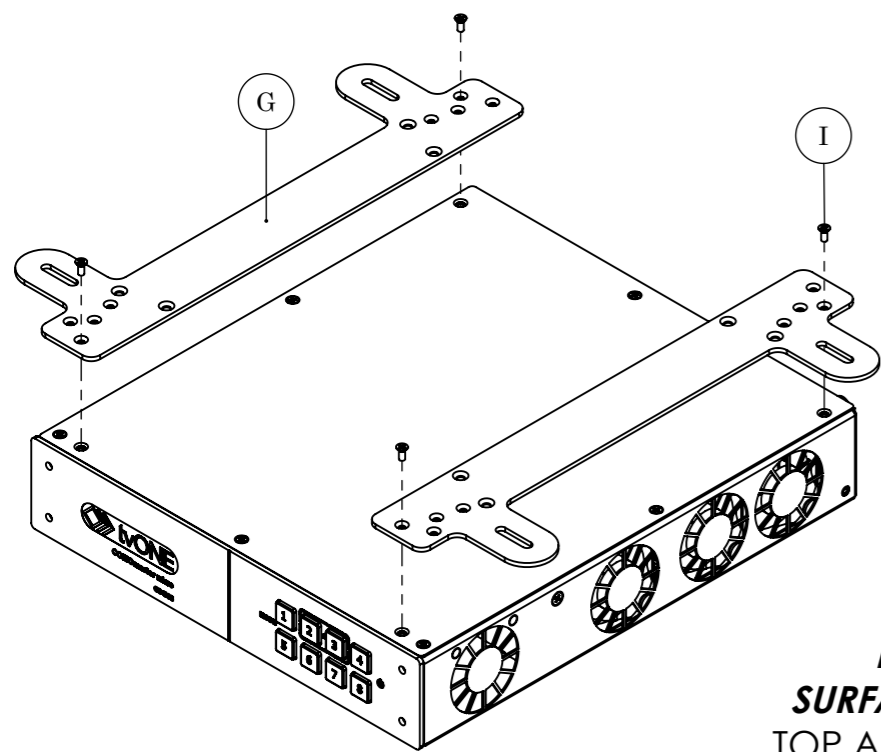


NOTE:
1U PRODUCT IMAGES ARE FOR ILLUSTRATION PURPOSES ONLY AND ARE NOT INCLUDED.
SOME PRODUCTS HAVE THE OPTION TO BE VERTICALLY MOUNTED ALSO SURFACE MOUNTED
TOP AND BOTTOM AND REQUIRE DIFFERENT SIZED FASTENERS.

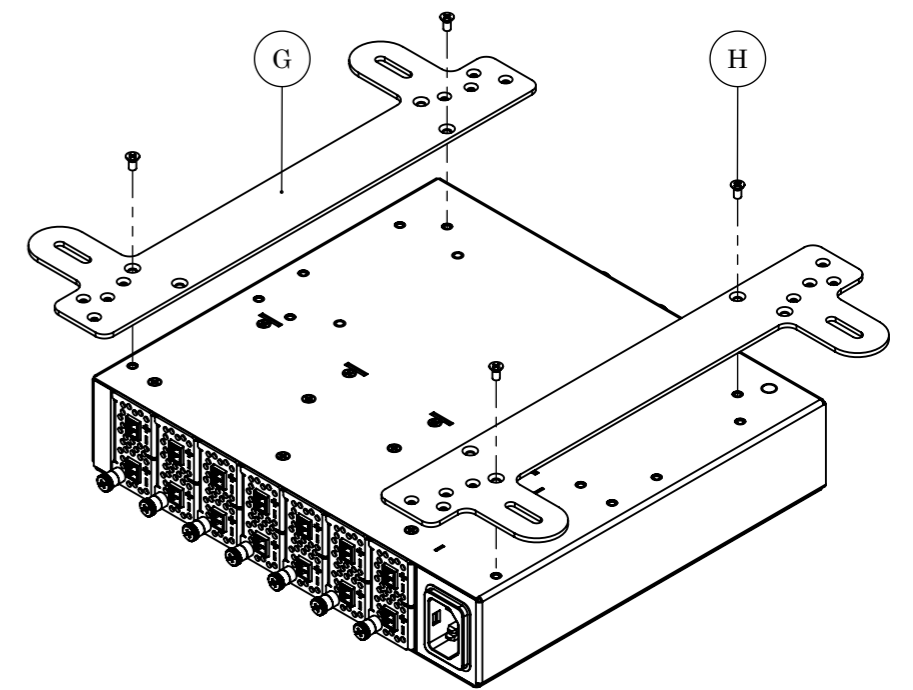
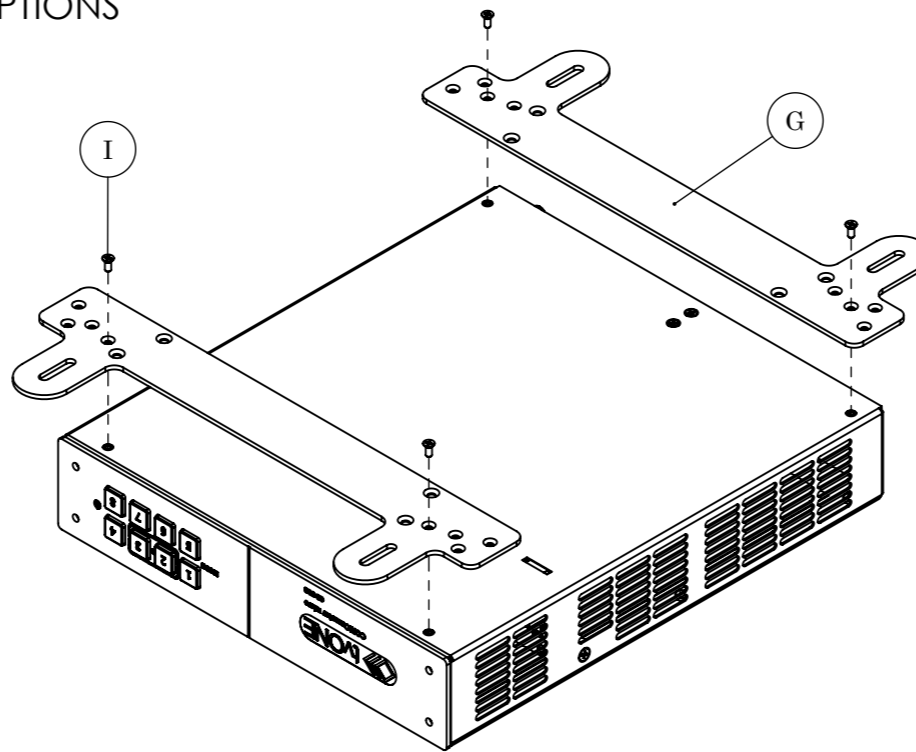
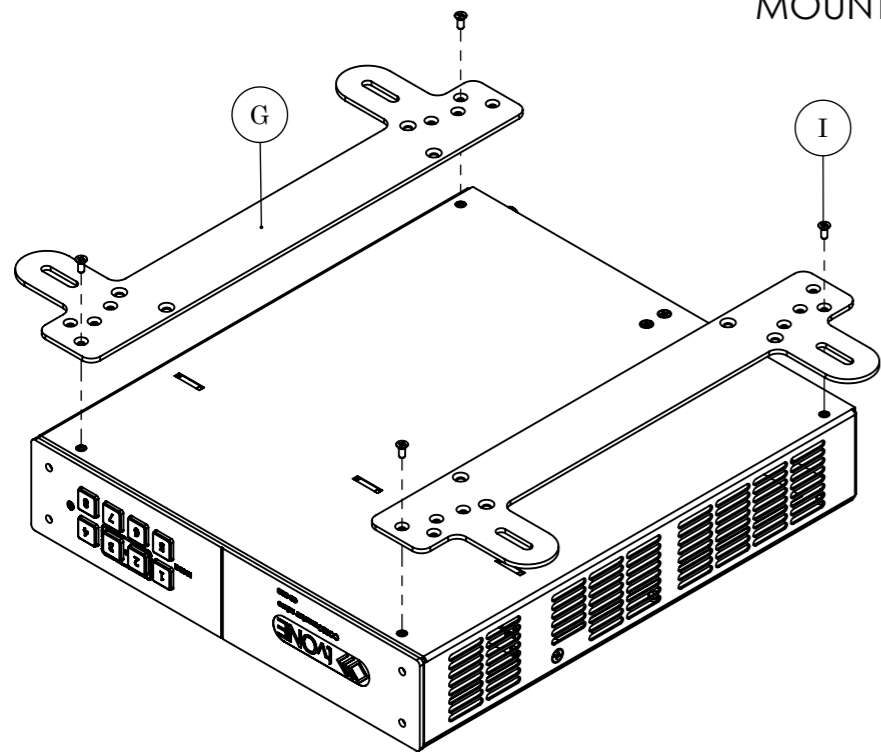
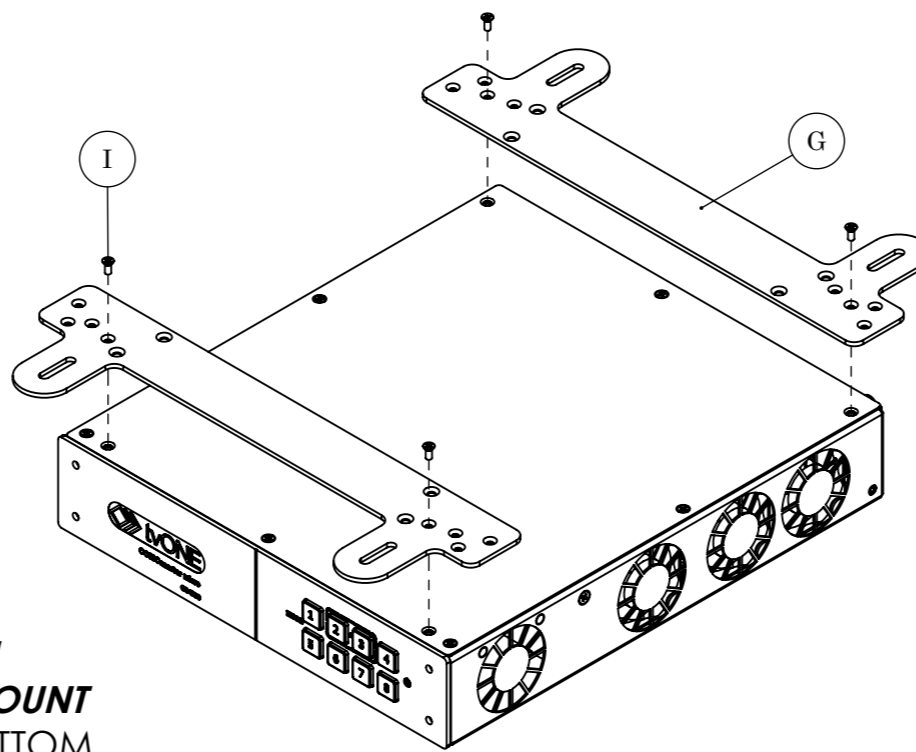
**RM-660
DUAL VERTICAL
MOUNT**



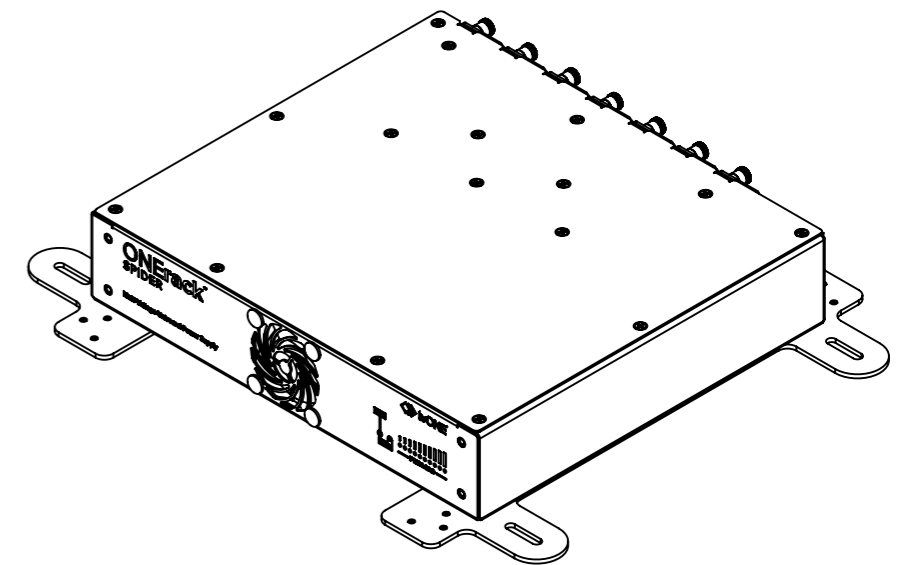
(A)	FRONT MOUNTING PLATE	x1	
(B)	SCREW M6x16 SLOTTED PAN	x4	
(C)	M6 WASHER	x4	
(D)	M6 CAGE NUT	x4	
(E)	SCREW M3x6 POZI PAN	x8	
(F)	SHELF	x1	
(G)	SURFACE MOUNT	x2	
(H)	SCREW M3x6 POZI CSK	x4	
(I)	SCREW M2.5x6 POZI CSK	x4	



RM-601
SURFACE MOUNT
 TOP AND BOTTOM
 MOUNTING OPTIONS



RM-601
SURFACE MOUNT
 BOTTOM MOUNTING
 OPTION



Regulatory compliance

This product is RoHS compliant.

Contact us

🌐 www.tvone.com info@tvone.com

✉ Support NCSA: tech.usa@tvone.com

✉ Support EMEA: tech.europe@tvone.com

✉ Information in this document is subject to change without notice. No part of this publication may be reproduced, stored in a retrieval system, or transmitted in any form or any means electronic or mechanical, including photocopying and recording for any purpose other than the purchaser's personal use without the written permission of tvONE.

Copyright © 2017 tvONE. All rights reserved.