



Instruction Manual

**MS-3002 and MS3004
Distribution Amplifier**

Table Of Contents

1.0	Introduction	4
2.0	Specifications	5
3.0	Package Contents	6
4.0	Connecting the Hardware	6
5.0	Operating The Unit	7
6.0	Troubleshooting	8
7.0	Limited Warranty	9
8.0	Regulatory Compliance	9
9.0	Contact Information	10

1.0 INTRODUCTION

Thanks for purchasing this MS-3000 series Distribution Amplifier from TV One. The MS-3000 Series D.A. is designed to handle standard RGBHV computer type signals. Model MS-3002 provides 2 outputs from a single input, while model MS-3004 provides 4 outputs. The same computer image can therefore be displayed on 2 or 4 monitors from one PC. Additional outputs can be provided by cascading additional Distribution Amplifiers. . Our professional video conversion products have been serving the industry for over twenty years. TV One offers a full line of high quality Video Scalers, Scan Converters, Analog-Digital (DV, SDI, DVI) Converters, Standards Converters, Digital Video Recorders, Frame Synchronizers, Time Base Correctors, LCD Monitors, Matrix Routing Switchers and Distribution Amplifiers.

1.1 Liability Statement

Every effort has been made to ensure that this product is free of errors. TV One cannot be held liable for the use of this hardware or any direct or indirect consequential damages arising from its use. It is the responsibility of the user of the hardware to check that it is suitable for his/her requirements and that it is installed correctly. All rights reserved. No parts of this manual may be reproduced or transmitted by any form or means electronic or mechanical, including photocopying, recording or by any information storage or retrieval system without the written consent of the publisher.

TV One reserves the right to revise any of its hardware and software following its policy to modify and/or improve its products where necessary or desirable. This statement does not affect the legal rights of the user in any way.

All third party trademarks and copyrights are recognised. The TV One logo, TV One-task and CORIO are the registered Trademarks of TV One. All other trademarks are the property of their respective holders.

1.2 FEATURES

The MS-3000 Series Distribution Amplifier has many features that enable it to perform in a superior manner. Among those features you will find:

- 300 MHz Bandwidth
- Supports Resolutions up to 2048x1536
- Output Range up 150 feet
- Locking DC Power Connector
- Supports DDC, DDC2, DDC2B (Output 1 Only)
- Amplifiers may be cascaded
- Rugged Metal Housing
- Ultra Compact Size

2.0 SPECIFICATIONS

General

Function	MS-3002	MS-3004
Voltage Requirement	AC 7.5V	AC 7.5V
Current Requirement	800mA	800mA
Input Connector (HD-15 Female)	1x	1x
Output Connectors (HD-15 Female)	2x	4x
Maximum Resolution	2048x1536 @ 60Hz	
Signal Bandwidth	300MHz	
Weight (Amplifier Only)	420 g 14.8 oz	455 g 16.1 oz
Dimensions (LxWxH)	130mm x 75mm x 42mm 5.12" x 2.95" x 1.65"	

INPUT/OUTPUT SIGNALS

Pin #	Signal
1	Red video
2	Green video
3	Blue video
4	ID2
5	Ground
6	Analog Ground
7	Analog Ground
8	Analog Ground

Pin #	Signal
9	NC
10	Ground
11	ID0
12	ID1
13	Horizontal Sync
14	Vertical Sync
15	ID3

3.0 CHECKING PACKAGE CONTENTS

Before attempting to use this unit, please check the packaging and make certain the following items are contained in the shipping carton:

- 1x Distribution Amplifier
- 1x Power Adapter with 7.5V AC Output
- 1x User Manual
- 1x HD-15 to HD-15 Input Cable

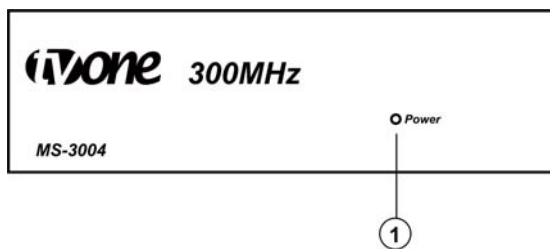
Note: Please retain the original packing material should the need ever arise to return the unit. If you find any items are missing, contact your reseller or TV One immediately. Have the Model Number, Serial Number and Invoice available for reference when you call.

4.0 CONNECTING THE HARDWARE

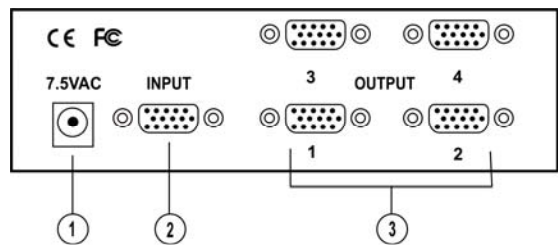
The MS-3000 Series Distribution Amplifiers have a clean and simple panel layout.

The front of the device has a single LED that indicates when power is applied and the rear panel has the power connection, input connection and either two or four output connections depending on whether you purchased the MS-3002 or the MS-3004 variant of the device.

Please take a moment to familiarize yourself with the location of the various signal connectors and the power input connector. Make certain you connect only the supplied power adaptor to the device as serious damage can result by using improper voltages.



1. Power LED.



1. Input Power Jack
2. Signal Input Connector
3. Signal Output Connectors

(The MS-3002 has only 2 Output Connectors)

5.0 OPERATING THE UNIT

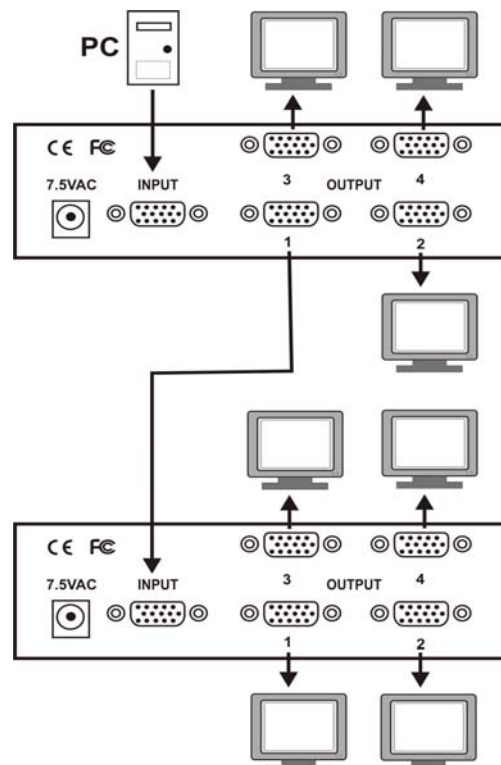
5.1 Connect the Unit as follows:

1. Turn off power to Source Device (such as PC) and to all Destination Devices (such as Monitors).
2. Connect the output of the Source Device to the Amplifier's Input with the HD-15 cable provided.
3. Connect the input of the Destination Devices to the Output Connectors of the Amplifier with high quality HD-15 cables, up to 150 feet in length.
4. Plug the DC Connector from the 7.5VAC Power Adapter provided into the Amplifier. Twist the DC Connector after inserting it to lock it in place.
5. Plug the Power Adapter into an AC Outlet.
6. Turn on power to the Source and Destination Devices.

Note: If you connect a DDC Monitor to Output 1 of the Amplifier, all the other Monitors must be able to support the same high resolution as the DDC monitor.

5.2 CASCADING

To display the same image on more Monitors than available Amplifier outputs permit, you may cascade additional Amplifiers. Connect the input of the additional Amplifier with an HD-15 cable to an output of the original Amplifier as shown below. **Caution** - Signal degradation may occur if too many Amplifiers are cascaded.



6.0 TROUBLESHOOTING

Problems with the MS-3000 series of Distribution Amplifiers are rare. Most of the time, the problem is caused by the use of an incorrect cable for the signal type, too long a cable run, bad connectors on the cable and occasionally damaged cables. Bad grounds or use of different AC power sources for the MS-3000 Series Distribution Amplifier, Signal Source and/or Display Device(s) may also cause problems due to ground loops.

After trying the above suggestions should the problem still persist, contact your dealer for additional suggestions before contacting TV One. Should the dealer's technical personnel be unable to assist you, contact TV One via our support website: ***<http://tvone.crmdesk.com>***. Create a technical support request on the site and our support team will respond within a short period of time.

7.0 LIMITED WARRANTY

LIMITED WARRANTY – With the exceptions noted in the next paragraph, TV One warrants the original purchaser that the equipment it manufactures or sells will be free from defects in materials and workmanship for a period of two years from the date of purchase. Should this product, in TV One's opinion, prove defective within this warranty period, TV One, at its option, will repair or replace this product without charge. Any defective parts replaced become the property of TV One. This warranty does not apply to those products which have been damaged due to accident, unauthorized alterations, improper repair, modifications, inadequate maintenance and care, or use in any manner for which the product was not originally intended.

Items integrated into TV One products that are made by other manufacturers, notably computer hard drives and liquid crystal display panels, are limited to the term of the warranty offered by the respective manufacturers. Such specific warranties are available upon request to TV One.

If repairs are necessary under this warranty policy, the original purchaser must obtain a Return Authorization Number from TV One and return the product to a location designated by TV One, freight prepaid. After repairs are complete, the product will be returned, freight prepaid.

LIMITATIONS - All products sold are "as is" and the above Limited Warranty is in lieu of all other warranties for this product, expressed or implied, and is strictly limited to two years from the date of purchase. TV One assumes no liability to distributors, resellers or end-users or any third parties for any loss of use, revenue or profit.

TV One makes no other representation of warranty as to fitness for the purpose or merchantability or otherwise in respect of any of the products sold. The liability of TV One with respect to any defective products will be limited to the repair or replacement of such products. In no event shall TV One be responsible or liable for any damage arising from the use of such defective products whether such damages be direct, indirect, consequential or otherwise, and whether such damages are incurred by the reseller, end-user or any third party.

8.0 REGULATORY COMPLIANCE

The MS-3000 Series Distribution Amplifier has been tested for compliance with: FCC Class B and CE.

The Power Adaptor/Supply has been tested for compliance with: UL, CSA and CE.

9.0 CONTACT INFORMATION

Should you have questions or require assistance with this product in areas not covered by this manual, please contact TV One at the appropriate location shown below:

TV One USA

1350 Jamike Drive
Erlanger, KY 41018
USA
Tel 800-721-4044
Fax 859-282-8225
sales@tvone.com
www.tvone.com

TV One Europe

Continental Approach
Westwood Industrial Estate
Margate, Kent CT9 4JG, UK
Tel +44 (0)1843 873311
Fax +44 (0)1843 873312
sales.europe@tvone.com
www.tvone.co.uk

TV One Latin America

2790 NW 79 Ave
Miami, FL 33122
USA
Tel 305-418-9305
Fax 305-418-3096
sales.latinoamerica@tvone.com
www.tvonela.com

TV One Mercosur

Honduras 5849, 2nd Floor, Office C
(C1414BNI) Capital Federal
Buenos Aires, Argentina
Tel +54 11 4771-5570
Fax +54 11 4771-5570
sales.mercosur@tvone.com
www.tvonela.com

TV One Asia

10F, NO.34, Sec. 2
San-Min Rd, Panchiao City
Taipei Hsien 220
Taiwan R.O.C.
Tel +886 2 8951-0674
Fax +886 2 8951-0675
sales.asia@tvone.com
www.tvoneasia.com

TV One China

Rm. A 17C,
Regalia Building No.29,
Xiangcheng Rd.
Pudong, Shanghai
China (200122)
Tel +86 21 5830-2960
Fax +86 21 5081-9096
sales.china@tvone.com
www.tvonechina.com



We Provide Solutions

TV One USA

1350 Jamike Drive
Erlanger, KY 41018
USA
Tel 800-721-4044
Fax 859-282-8225
sales@tvone.com
www.tvone.com

TV One Europe

Continental Approach
Westwood Industrial Estate
Margate, Kent CT9 4JG, UK
Tel +44 (0)1843 873311
Fax +44 (0)1843 873312
sales.europe@tvone.com
www.tvone.co.uk

TV One Latin America

2790 NW 79 Ave
Miami, FL 33122
USA
Tel 305-418-9305
Fax 305-418-3096
sales.latinamerica@tvone.com
www.tvonela.com

TV One Mercosur

Honduras 5849, 2nd Floor, Office C
(C1414BNI) Capital Federal
Buenos Aires, Argentina
Tel +54 11 4771-5570
Fax +54 11 4771-5570
sales.mercosur@tvone.com
www.tvonela.com

TV One Asia

10F, NO.34, Sec. 2
San-Min Rd, Panchiao City
Taipei Hsien 220
Taiwan R.O.C.
Tel +886 2 8951-0674
Fax +886 2 8951-0675
sales.asia@tvone.com
www.tvoneasia.com

TV One China

Rm. A 17C,
Regalia Building No.29,
Xiangcheng Rd.
Pudong, Shanghai
China (200122)
Tel +86 21 5830-2960
Fax +86 21 5081-9096
sales.china@tvone.com
www.tvonechina.com