



tvone 300MHz

MS-3102
WITH STEREO

Power

Instruction Manual

MS-3102
Distribution Amplifier with
Stereo Audio

Table Of Contents

1.0	Introduction	4
2.0	Specifications	5
3.0	Checking Package Contents	5
4.0	Connecting the Hardware	6
5.0	Operating The Unit	7
6.0	Troubleshooting	8
7.0	Limited Warranty	9
8.0	Regulatory Compliance	9
9.0	Contact Information	10

1.0 INTRODUCTION

Thanks for purchasing this MS-3102 Distribution Amplifier with Stereo Audio from TV One. The MS-3102 is designed to accept one PC input with Stereo Audio and provide two PC outputs with Stereo Audio. Our professional video conversion products have been serving the industry for over twenty years. TV One offers a full line of high quality Video Scalers, Scan Converters, Analog-Digital (DV, SDI, DVI) Converters, Standards Converters, Digital Video Recorders, Frame Synchronizers, Time Base Correctors, LCD Monitors, Matrix Routing Switchers and Distribution Amplifiers.

1.1 Liability Statement

Every effort has been made to ensure that this product is free of errors. TV One cannot be held liable for the use of this hardware or any direct or indirect consequential damages arising from its use. It is the responsibility of the user of the hardware to check that it is suitable for his/her requirements and that it is installed correctly. All rights reserved. No parts of this manual may be reproduced or transmitted by any form or means electronic or mechanical, including photocopying, recording or by any information storage or retrieval system without the written consent of the publisher.

TV One reserves the right to revise any of its hardware and software following its policy to modify and/or improve its products where necessary or desirable. This statement does not affect the legal rights of the user in any way.

All third party trademarks and copyrights are recognised. The TV One logo, TV One-task and CORIO are the registered Trademarks of TV One. All other trademarks are the property of their respective holders.

1.2 FEATURES

The MS-3102 1 x 2 Distribution Amplifier with Stereo Audio has many features that enable it to perform in a superior manner. Among those features you will find:

- 300 MHz Bandwidth Video
- Stereo Audio I/O
- Supports Resolutions up to 2048x1536
- Output Range up 150 feet
- Locking DC Power Connector
- Supports DDC, DDC2, DDC2B (Output 1 Only)
- Rugged Metal Housing
- Ultra Compact Size

2.0 SPECIFICATIONS

General

Function	Specification
Voltage Requirement	AC 7.5V
Current Requirement	800mA
HD-15F Input	1x
3.5mm Mini-Stereo In	1x
HD-15F Output	2x
3.5mm Mini-Stereo Out	2x
Max Resolution	2048x1536 @ 60Hz
Signal Bandwidth	300MHz
Weight (Amplifier Only)	455g (16 oz)
Dimensions (LxWxH)	130mm x 75mm x 42mm 5.12" x 2.95" x 1.65"

Input/Output Signals

Pin #	Signal
1	Red video
2	Green video
3	Blue video
4	ID2
5	Ground
6	Analog Ground
7	Analog Ground
8	Analog Ground

Pin #	Signal
9	NC
10	Ground
11	ID0
12	ID1
13	Horizontal Sync
14	Vertical Sync
15	ID3

3.0 CHECKING PACKAGE CONTENTS

Before attempting to use this unit, please check the packaging and make certain the following items are contained in the shipping carton:

- 1x Distribution Amplifier
- 1x Power Adapter with 7.5V AC Output
- 1x User Manual
- 1x HD-15 to HD-15 Input Cable
- 1x Stereo Audio Cable

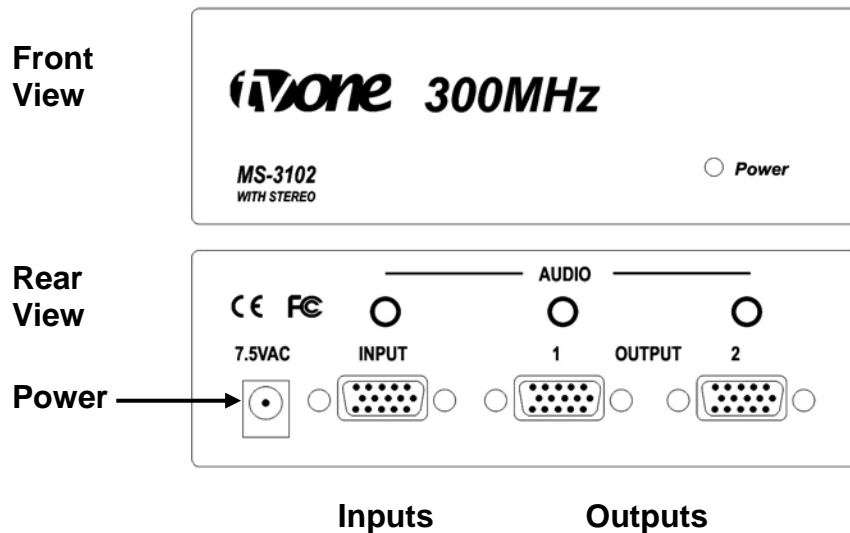
Note: Please retain the original packing material should the need ever arise to return the unit. If you find any items are missing, contact your reseller or TV One immediately. Have the Model Number, Serial Number and Invoice available for reference when you call.

4.0 CONNECTING THE HARDWARE

The MS-3102 Distribution Amplifier with Stereo Audio has a clean and simple panel layout.

The front of the device has a single LED that indicates when power is applied and the rear panel has the power connection, input connection and two Video Output connections plus two Stereo Audio Connections.

Please take a moment to familiarize yourself with the location of the various signal connectors and the power input connector. Make certain you connect only the supplied power adaptor to the device as serious damage can result from using improper voltages.



5.0 OPERATING THE UNIT

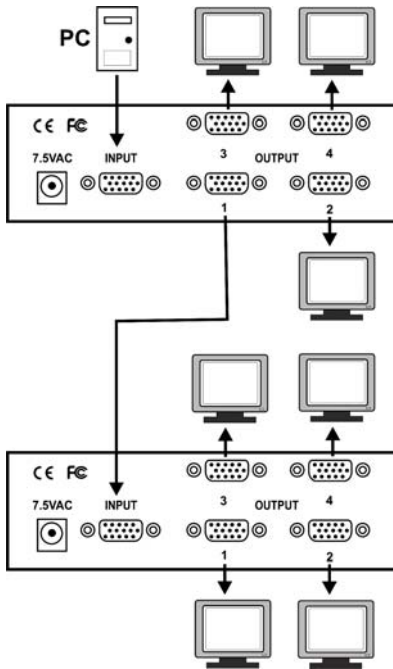
- Turn off power to Source Device (such as PC) and to all Destination Devices (such as Monitors).
- Connect the output of the Source Device to the Amplifier's Input with the HD-15 cable provided.
- Connect the input of the Destination Devices to the Output Connectors of the Amplifier with high quality HD-15 cables, up to 150 feet in length.
- Connect the Input and Output Stereo Audio Cables.
- Plug the DC Connector from the 7.5VAC Power Adapter provided into the Amplifier. Twist the DC Connector after inserting it to lock it in place.
- Plug the Power Adapter into an AC Outlet.
- Turn on power to the Source and Destination Devices.

Note - If you connect a DDC Monitor to Output 1 of the Amplifier, all the other Monitors must be able to support the same high resolution as the DDC monitor.

CASCADING

To display the same image on more Monitors than available Amplifier outputs permit, additional Amplifiers may be cascaded. Connect the input of the additional Amplifier with an HD-15 cable to an output of the original Amplifier.

Caution - Signal degradation may occur if too many Amplifiers are cascaded. Below is an example of acceptable cascading.



6.0 TROUBLESHOOTING

Problems with the MS-3102 Distribution Amplifier is rare. Most of the time, the problem is caused by the use of an incorrect cable for the signal type, to long a cable run, bad connectors on the cable and occasionally damaged cables. Bad grounds or use of different AC power sources for the Distribution Amplifier, Signal Source and/or Display Device(s) may also cause problems due to ground loops.

After trying the above suggestions should the problem still persist, contact your dealer for additional suggestions before contacting TV One. Should the dealer's technical personnel be unable to assist you, contact TV One via our support website: ***<http://tvone.crmdesk.com>***. Create a technical support request on the site and our support team will respond within a short period of time.

7.0 LIMITED WARRANTY

LIMITED WARRANTY – With the exceptions noted in the next paragraph, TV One warrants the original purchaser that the equipment it manufactures or sells will be free from defects in materials and workmanship for a period of two years from the date of purchase. Should this product, in TV One’s opinion, prove defective within this warranty period, TV One, at its option, will repair or replace this product without charge. Any defective parts replaced become the property of TV One. This warranty does not apply to those products which have been damaged due to accident, unauthorized alterations, improper repair, modifications, inadequate maintenance and care, or use in any manner for which the product was not originally intended.

Items integrated into TV One products that are made by other manufacturers, notably computer hard drives and liquid crystal display panels, are limited to the term of the warranty offered by the respective manufacturers. Such specific warranties are available upon request to TV One.

If repairs are necessary under this warranty policy, the original purchaser must obtain a Return Authorization Number from TV One and return the product to a location designated by TV One, freight prepaid. After repairs are complete, the product will be returned, freight prepaid.

LIMITATIONS - All products sold are "as is" and the above Limited Warranty is in lieu of all other warranties for this product, expressed or implied, and is strictly limited to two years from the date of purchase. TV One assumes no liability to distributors, resellers or end-users or any third parties for any loss of use, revenue or profit.

TV One makes no other representation of warranty as to fitness for the purpose or merchantability or otherwise in respect of any of the products sold. The liability of TV One with respect to any defective products will be limited to the repair or replacement of such products. In no event shall TV One be responsible or liable for any damage arising from the use of such defective products whether such damages be direct, indirect, consequential or otherwise, and whether such damages are incurred by the reseller, end-user or any third party.

8.0 REGULATORY COMPLIANCE

The MS-3102 1 x2 Distribution Amplifier with Stereo Audio has been tested for compliance with: FCC Class B and CE.

The Power Adaptor/Supply has been tested for compliance with: UL, CSA and CE.

9.0 CONTACT INFORMATION

Should you have questions or require assistance with this product in areas not covered by this manual, please contact TV One at the appropriate location shown below:

TV One USA

1350 Jamike Drive
Erlanger, KY 41018
USA
Tel 800-721-4044
Fax 859-282-8225
sales@tvone.com
www.tvone.com

TV One Europe

Continental Approach
Westwood Industrial Estate
Margate, Kent CT9 4JG, UK
Tel +44 (0)1843 873311
Fax +44 (0)1843 873312
sales.europe@tvone.com
www.tvone.co.uk

TV One Latin America

2790 NW 79 Ave
Miami, FL 33122
USA
Tel 305-418-9305
Fax 305-418-3096
sales.latinamerica@tvone.com
www.tvonela.com

TV One Mercosur

Honduras 5849, 2nd Floor, Office C
(C1414BNI) Capital Federal
Buenos Aires, Argentina
Tel +54 11 4771-5570
Fax +54 11 4771-5570
sales.mercosur@tvone.com
www.tvonela.com

TV One Asia

10F, NO.34, Sec. 2
San-Min Rd, Panchiao City
Taipei Hsien 220
Taiwan R.O.C.
Tel +886 2 8951-0674
Fax +886 2 8951-0675
sales.asia@tvone.com
www.tvoneasia.com

TV One China

Rm. A 17C,
Regalia Building No.29,
Xiangcheng Rd.
Pudong, Shanghai
China (200122)
Tel +86 21 5830-2960
Fax +86 21 5081-9096
sales.china@tvone.com
www.tvonechina.com



We Provide Solutions

TV One USA

1350 Jamike Drive
Erlanger, KY 41018
USA
Tel 800-721-4044
Fax 859-282-8225
sales@tvone.com
www.tvone.com

TV One Europe

Continental Approach
Westwood Industrial Estate
Margate, Kent CT9 4JG, UK
Tel +44 (0)1843 873311
Fax +44 (0)1843 873312
sales.europe@tvone.com
www.tvone.co.uk

TV One Latin America

2790 NW 79 Ave
Miami, FL 33122
USA
Tel 305-418-9305
Fax 305-418-3096
sales.latinoamerica@tvone.com
www.tvonela.com

TV One Mercosur

Honduras 5849, 2nd Floor, Office C
(C1414BNI) Capital Federal
Buenos Aires, Argentina
Tel +54 11 4771-5570
Fax +54 11 4771-5570
sales.mercosur@tvone.com
www.tvonela.com

TV One Asia

10F, NO.34, Sec. 2
San-Min Rd, Panchiao City
Taipei Hsien 220
Taiwan R.O.C.
Tel +886 2 8951-0674
Fax +886 2 8951-0675
sales.asia@tvone.com
www.tvoneasia.com

TV One China

Rm. A 17C,
Regalia Building No.29,
Xiangcheng Rd.
Pudong, Shanghai
China (200122)
Tel +86 21 5830-2960
Fax +86 21 5081-9096
sales.china@tvone.com
www.tvonechina.com