



Instruction Manual

MX-2541
4x1 Video Selector

Table Of Contents

1.0	Introduction	4
2.0	Specifications	5
3.0	Checking Package Contents	6
4.0	Connecting the Hardware	6
5.0	Operating The Unit	7
6.0	Troubleshooting	7
7.0	Limited Warranty	8
8.0	Regulatory Compliance	8
9.0	Contact Information	9

1.0 INTRODUCTION

Thanks for purchasing this MX-2541 4 x 1 Video Selector from TV One. The MX-2541 Video Selector allows the routing of many PC video outputs to one monitor. Up to four (4) PC monitor outputs may be connected to the Video Selector and any of these inputs may be routed to a monitor via the front panel switches. An LED indicates the inputs on line and the input currently selected. Our professional video conversion products have been serving the industry for over twenty years. TV One offers a full line of high quality Video Scalers, Scan Converters, Analog-Digital (DV, SDI, DVI) Converters, Standards Converters, Digital Video Recorders, Frame Synchronizers, Time Base Correctors, LCD Monitors, Matrix Routing Switchers and Distribution Amplifiers.

1.1 Liability Statement

Every effort has been made to ensure that this product is free of errors. TV One cannot be held liable for the use of this hardware or any direct or indirect consequential damages arising from its use. It is the responsibility of the user of the hardware to check that it is suitable for his/her requirements and that it is installed correctly. All rights reserved. No parts of this manual may be reproduced or transmitted by any form or means electronic or mechanical, including photocopying, recording or by any information storage or retrieval system without the written consent of the publisher.

TV One reserves the right to revise any of its hardware and software following its policy to modify and/or improve its products where necessary or desirable. This statement does not affect the legal rights of the user in any way.

All third party trademarks and copyrights are recognised. The TV One logo, TV One-task and CORIO are the registered Trademarks of TV One. All other trademarks are the property of their respective holders.

1.2 FEATURES

The MX-2541 4 x 1 Video Selector has many features that enable it to perform in a superior manner. Among those features you will find:

- Resolutions up to 1920 X 1440 are supported.
- Pixel Frequencies up to 250Mhz.
- Supports DDC1, DDC2, DDC2B, DDC2B+ and DDC2AB (For Video Out, Port 1).
- PC Inputs and Monitor Output may be changed while the unit is powered (Hot Swap Enabled).
- Device ignores unused ports, un-powered and suspended PC inputs.

2.0 SPECIFICATIONS

FUNCTION	SPECIFICATION
Connectors	4 HD-15 Female inputs, 1 HD-15 Female Output
Indicators	LED, 4 On Line, 4 Selected, Total 8
Switches	4, Input Selection
VGA Resolution	1920x1440 @ 60 Hz, 250 Mhz.
Power Adapter	120 VAC in, 9 VDC/300 mA Out
Weight	420g (15 oz)
Dimensions (LxWxH)	128mm x 75 mm x 45 mm 5.11" x 2.95" x 1.68"

HARDWARE REQUIREMENTS*

ITEM	SPECIFICATION
Monitor or Projector	High Resolution VGA, SVGA, Multisync Plasma Monitor or Projector
PC	VGA, SVGA or Multisync Card
Cables	Standard HD-15 Cable

**Up to four PCs are connected to the Video Selector via HD-15 cables and a HD-15 cable is used to connect the output of the MX-2541 to the display device. See the "Connecting the Hardware" section for details.*

INPUT/OUTPUT SIGNALS

Pin #	Signal
1	Red Video
2	Green Video
3	Blue Video
4	ID2
5	Ground
6	Analog Ground
7	Analog Ground
8	Analog Ground
9	NC
10	Ground
11	ID0
12	ID1
13	Horizontal Sync
14	Vertical Sync
15	ID3

3.0 CHECKING PACKAGE CONTENTS

Before attempting to use this unit, please check the packaging and make certain the following items are contained in the shipping carton:

- 1x MX-2541 Video Selector
- 1x User Manual
- 1x Power Adapter 9DCV @ 300mA

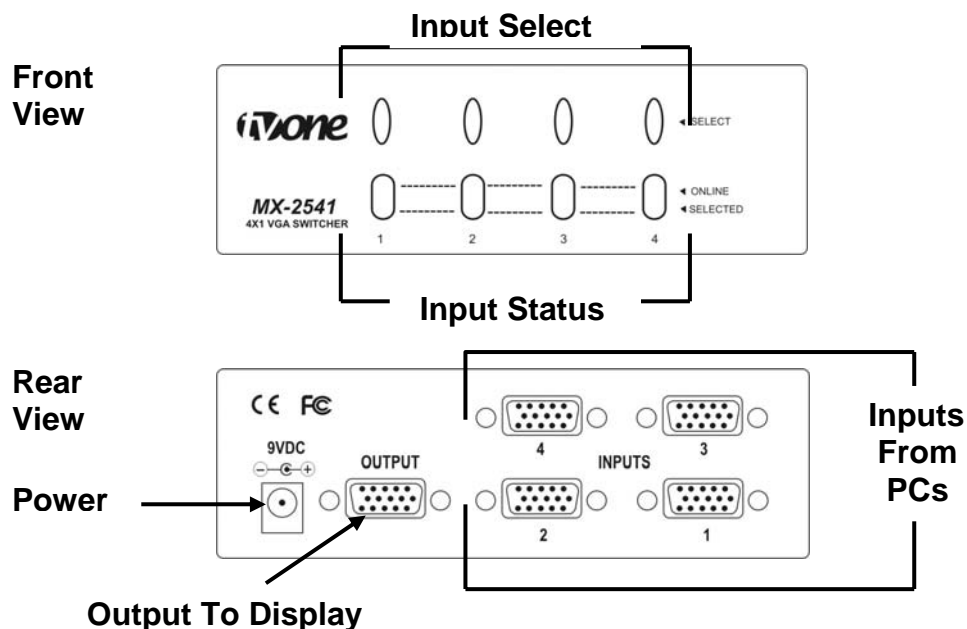
Note: Please retain the original packing material should the need ever arise to return the unit. If you find any items are missing, contact your reseller or TV One immediately. Have the Model Number, Serial Number and Invoice available for reference when you call.

4.0 CONNECTING THE HARDWARE

Turn off power to Destination Device (such as a Monitor or Projector) and to all Source Devices (PCs). Connect the input of the Destination Device to the Video Selector's Output using a High Quality HD-15 cable. Connect the Outputs of the Source Devices to the Input Connectors of the Video Selector with high quality HD-15 cables.

Plug the DC Connector from the Power Adapter provided into the Video Selector. Twist the DC Connector after inserting it to lock it in place. Finally, plug the Power Adapter into an AC Outlet and turn on power to the Source and Destination Devices.

Please study the panel drawings below and become familiar with the signal input, outputs, power requirements/inputs plus any controls present.



5.0 OPERATING THE UNIT

Operating the MX-2541 is very simple. Connect a cable from the 'monitor out' HD-15 connector on your PC to one of the connector(s) labeled 'Input'. Up to 4 individual PCs can be connected. Status lights will show availability of signals on each input and which input you have selected. Connect an output cable from the "Output" connector on the unit to your display device.

Note: The MX-2541 is a unity gain device, which means you can exceed the limits of what is considered an acceptable signal level if you attempt to use extremely long cable runs without including intermediate distribution amplifiers such as the TV One MS-3002 or MS-3004. See Troubleshooting Section below for more information.

6.0 TROUBLESHOOTING

The MX-2541 is normally very dependable and trouble free. The most common problems are use of incorrect cable for the signal type, use of inferior quality cables and attempting to use cable runs that are too long. Poor results are almost always the result of a cable or connector problem with this device.

To eliminate these potential problems from the equation, try another cable or decrease the length of the cable to see if results become acceptable. If they do, either replace the cable or insert a distribution amplifier in the circuit to boost the strength of the signal. Using two cables—with the distribution amplifier placed midway in the run—would normally accomplish this signal boost depending on how lengthy a cable run you are attempting.

After trying the above suggestions should the problem still persist, contact your dealer for additional suggestions before contacting TV One. Should the dealer's technical personnel be unable to assist you, contact TV One via our support website: <http://tvone.crmdesk.com>. Create a technical support request on the site and our support team will respond within a short period of time.

7.0 LIMITED WARRANTY

LIMITED WARRANTY – With the exceptions noted in the next paragraph, TV One warrants the original purchaser that the equipment it manufactures or sells will be free from defects in materials and workmanship for a period of two years from the date of purchase. Should this product, in TV One's opinion, prove defective within this warranty period, TV One, at its option, will repair or replace this product without charge. Any defective parts replaced become the property of TV One. This warranty does not apply to those products which have been damaged due to accident, unauthorized alterations, improper repair, modifications, inadequate maintenance and care, or use in any manner for which the product was not originally intended.

Items integrated into TV One products that are made by other manufacturers, notably computer hard drives and liquid crystal display panels, are limited to the term of the warranty offered by the respective manufacturers. Such specific warranties are available upon request to TV One.

If repairs are necessary under this warranty policy, the original purchaser must obtain a Return Authorization Number from TV One and return the product to a location designated by TV One, freight prepaid. After repairs are complete, the product will be returned, freight prepaid.

LIMITATIONS - All products sold are "as is" and the above Limited Warranty is in lieu of all other warranties for this product, expressed or implied, and is strictly limited to two years from the date of purchase. TV One assumes no liability to distributors, resellers or end-users or any third parties for any loss of use, revenue or profit.

TV One makes no other representation of warranty as to fitness for the purpose or merchantability or otherwise in respect of any of the products sold. The liability of TV One with respect to any defective products will be limited to the repair or replacement of such products. In no event shall TV One be responsible or liable for any damage arising from the use of such defective products whether such damages be direct, indirect, consequential or otherwise, and whether such damages are incurred by the reseller, end-user or any third party.

8.0 REGULATORY COMPLIANCE

The MX-2541 Video Selector has been tested for compliance with: FCC Class B and CE.

The Power Adaptor/Supply has been tested for compliance with: UL, CSA and CE.

9.0 CONTACT INFORMATION

Should you have questions or require assistance with this product in areas not covered by this manual, please contact TV One at the appropriate location shown below:

TV One USA

1350 Jamike Drive
Erlanger, KY 41018
USA
Tel 800-721-4044
Fax 859-282-8225
sales@tvone.com
www.tvone.com

TV One Europe

Continental Approach
Westwood Industrial Estate
Margate, Kent CT9 4JG, UK
Tel +44 (0)1843 873311
Fax +44 (0)1843 873312
sales.europe@tvone.com
www.tvone.co.uk

TV One Latin America

2790 NW 79 Ave
Miami, FL 33122
USA
Tel 305-418-9305
Fax 305-418-3096
sales.latinoamerica@tvone.com
www.tvonela.com

TV One Mercosur

Honduras 5849, 2nd Floor, Office C
(C1414BNI) Capital Federal
Buenos Aires, Argentina
Tel +54 11 4771-5570
Fax +54 11 4771-5570
sales.mercosur@tvone.com
www.tvonela.com

TV One Asia

10F, NO.34, Sec. 2
San-Min Rd, Panchiao City
Taipei Hsien 220
Taiwan R.O.C.
Tel +886 2 8951-0674
Fax +886 2 8951-0675
sales.asia@tvone.com
www.tvoneasia.com

TV One China

Rm. A 17C,
Regalia Building No.29,
Xiangcheng Rd.
Pudong, Shanghai
China (200122)
Tel +86 21 5830-2960
Fax +86 21 5081-9096
sales.china@tvone.com
www.tvonechina.com

NOTES



We Provide Solutions

TV One USA

1350 Jamike Drive
Erlanger, KY 41018
USA
Tel 800-721-4044
Fax 859-282-8225
sales@tvone.com
www.tvone.com

TV One Europe

Continental Approach
Westwood Industrial Estate
Margate, Kent CT9 4JG, UK
Tel +44 (0)1843 873311
Fax +44 (0)1843 873312
sales.europe@tvone.com
www.tvone.co.uk

TV One Latin America

2790 NW 79 Ave
Miami, FL 33122
USA
Tel 305-418-9305
Fax 305-418-3096
sales.latinoamerica@tvone.com
www.tvonela.com

TV One Mercosur

Honduras 5849, 2nd Floor, Office C
(C1414BNI) Capital Federal
Buenos Aires, Argentina
Tel +54 11 4771-5570
Fax +54 11 4771-5570
sales.mercosur@tvone.com
www.tvonela.com

TV One Asia

10F, NO.34, Sec. 2
San-Min Rd, Panchiao City
Taipei Hsien 220
Taiwan R.O.C.
Tel +886 2 8951-0674
Fax +886 2 8951-0675
sales.asia@tvone.com
www.tvoneasia.com

TV One China

Rm. A 17C,
Regalia Building No.29,
Xiangcheng Rd.
Pudong, Shanghai
China (200122)
Tel +86 21 5830-2960
Fax +86 21 5081-9096
sales.china@tvone.com
www.tvonechina.com